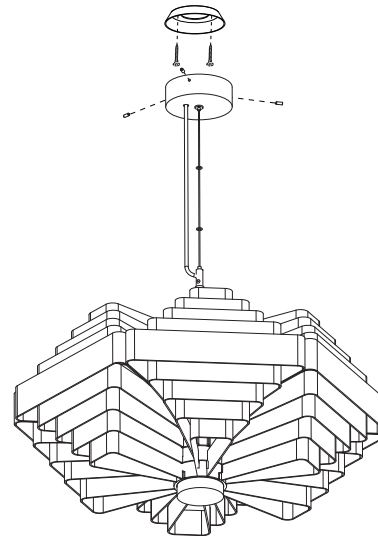
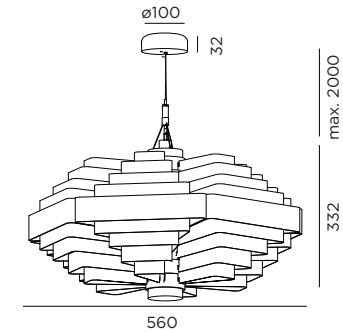


# J.J.W. 042

INSTALLATION INSTRUCTIONS | FEBRUARY 2021

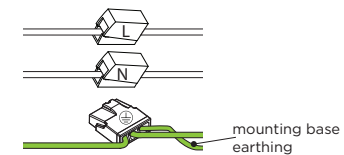


## DIMENSIONS



## MOUNTING INSTRUCTION

- 1 Place the lamps first before mounting the fixture (lamps are not included).
- 2 Remove the ceiling plate and mount it on the ceiling with screws (screws are not included).
- 3 **POWER CONNECTION**  
connect to 220-240V

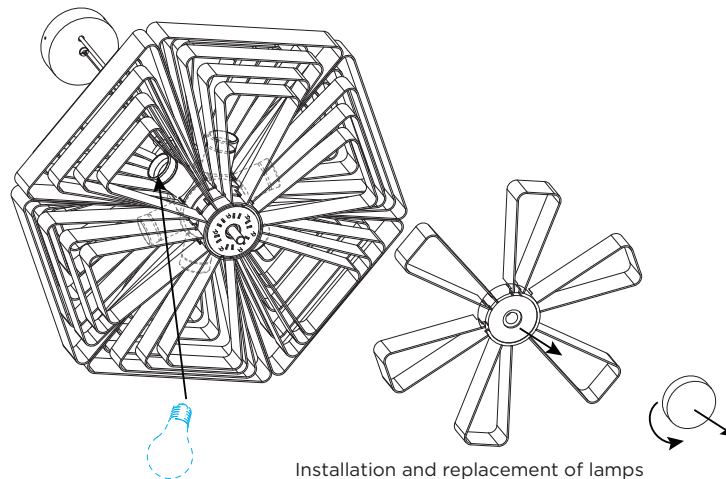
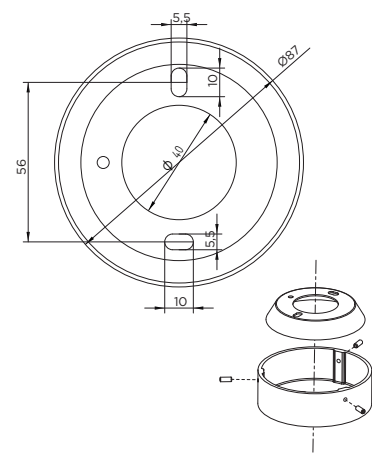


- 4 Mount the fixture to the top plate.

## 5 EXTRA INFO

Lamp replacement: all lamps can be replaced by hand, make sure the lamp is cold. For aesthetical reasons: please make sure that the lamellas hang parallel after installation.

### ceiling plate dimensions



Installation and replacement of lamps



**WEVER & DUCRÉ**  
LIGHTING

**WEVER & DUCRÉ BVBA**  
Spinnerijstraat 99/21, 8500 Kortrijk, Belgium  
weverducre.com