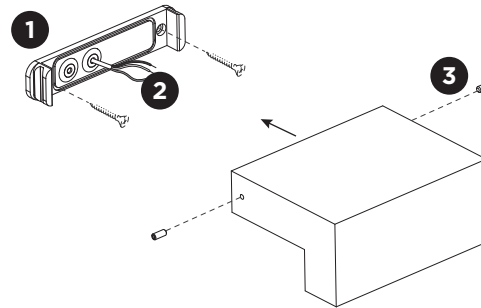


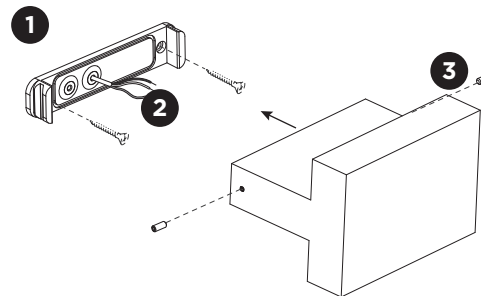
# PALOS

INSTALLATION INSTRUCTIONS | NOVEMBER 2022

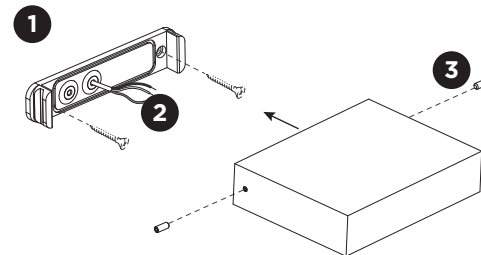
PALOS 1.0



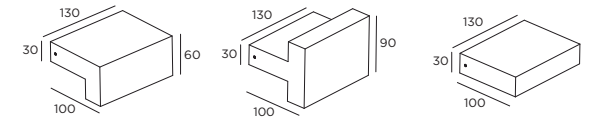
PALOS 2.0



PALOS 3.0



## DIMENSIONS



PALOS 1.0

PALOS 2.0

PALOS 3.0

## MOUNTING INSTRUCTION

- 1 Remove the mounting base from the luminaire by loosening the socket screws and mount it on the wall with screws. (screws are not included)

## 2 POWER CONNECTION

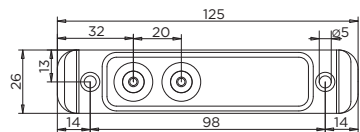
Connect to 220-240V.



- 3 Fix the luminaire on the base with the socket screws.

Mounting base:

PALOS 1.0 / 2.0 / 3.0



Please use a matching grommet based on the used 220-240V cable and the corresponding type in the overview table.

|                    | A   | B  | C   |
|--------------------|---|--|---|
|                    |   |  |   |
| CABLE              |   |  |   |
| TYPE               | ROUND<br>H05RN-F<br>H07RN8-F<br>H07RN-F   | ROUND<br>H05RN-F                                   | ROUND                                     |
| OUTSIDE Ø          | min 6.8mm<br>max 8.9mm  | min 5mm<br>max 6.8mm                               | min 1.5mm<br>max 2.6mm                    |
| CONDUCTION SECTION | 2or3x 0.75mm <sup>2</sup><br>2or3x 1.0mm <sup>2</sup><br>2or3x 1.5mm <sup>2</sup> | 2or3x 0.75mm <sup>2</sup><br>2x 1.0mm <sup>2</sup> | 0.75mm <sup>2</sup><br>1.5mm <sup>2</sup> |



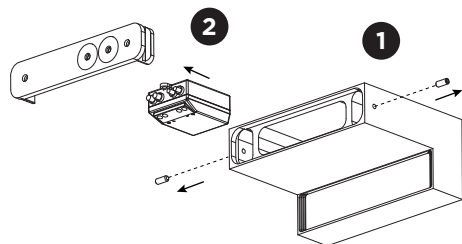
**WEVER & DUCRÉ**  
LIGHTING

**WEVER & DUCRÉ BV**  
Spinnerijstraat 99/21, 8500 Kortrijk, Belgium  
weverducre.com

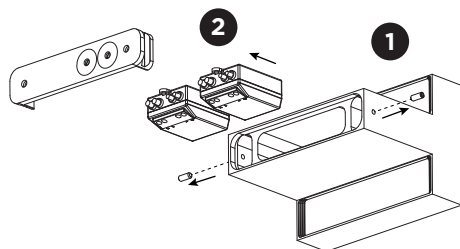
# PALOS

INSTALLATION INSTRUCTIONS | NOVEMBER 2022

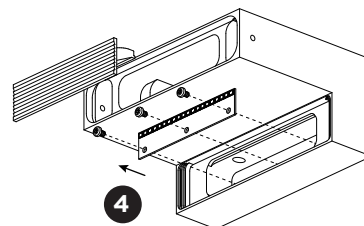
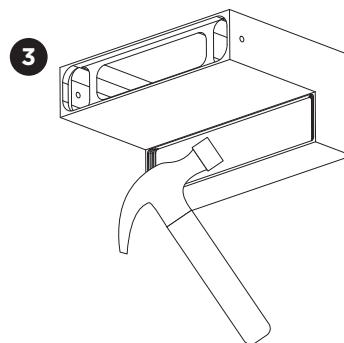
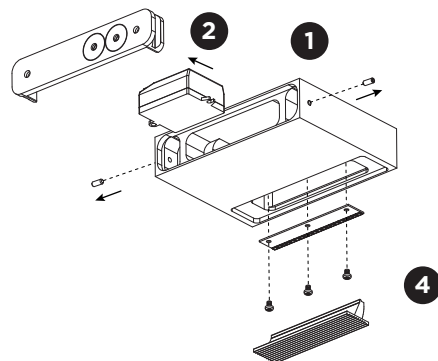
PALOS 1.0



PALOS 2.0



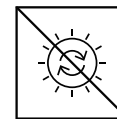
PALOS 3.0



## DISMOUNTING AND RECYCLING INSTRUCTIONS

Light source & driver

- 1 Loosen the side screws and remove the lamp housing from the mounting base.
- 2 Loosen the cables to remove the driver.
- 3 Break the glass.
- 4 Take out the lens and unscrew the LED board.



The light source is not replaceable.



The driver can be replaced by the end user.



This luminaire contains a light source with the energy class D.



**WEVER & DUCRÉ**  
LIGHTING

**WEVER & DUCRÉ BV**  
Spinnerijstraat 99/21, 8500 Kortrijk, Belgium  
weverducre.com